



OZip-AFE/GTI Inverter Software

Active Front End and Grid Tie Systems
Oztek Intelligent Power Module

Features

- Low AC Current Harmonics—meets IEEE 519
- Improved Power Factor
- Active Front End (AFE) DC Link Control Mode
- Grid Tie Inverter (GTI) Current Control Mode
- Grid Tie Inverter (GTI) Power Control Mode
- Voltage Boost Capability
- Pre-charge Control
- CAN or Modbus RS-485 Interface
- Easy Setup via Serial Port with PC based GUI

Description

The AFE/GTI Software application is designed for use with Oztek’s OZip family of Intelligent Power Modules. Intended for OEM applications, the OZip based AFE/GTI solution provides high performance and efficiency at a fraction of the cost of a packaged industrial solution.

The inverter can be configured to operate in AFE or GTI mode. In AFE mode the inverter regulates the DC bus voltage and can be used to power a common bus or single drive applications that require AC line regeneration and/or low harmonics.

GTI mode is generally intended for renewable applications. In general there is a separately controlled DC source and the inverter is used to control real and reactive current or power to or from the grid.

The inverter is fully configurable through a CAN or Modbus RS-485 serial interface using the supplied Power Studio™ configuration tool.

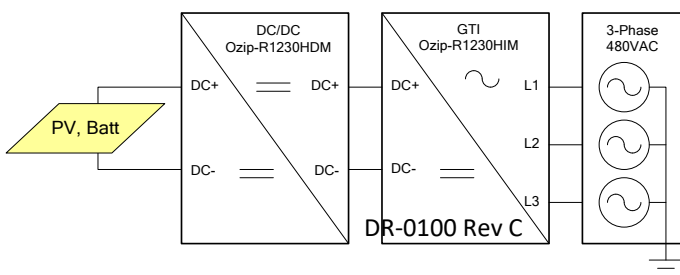
The OZip-Inverter leverages Oztek’s 15+ years of experience providing digital power solutions to demanding OEMs, and will accelerate your time to market while reducing development cost and risk.

Compact and rugged, the IP55 rated modules have been qualified for high reliability and long life in the most demanding applications. Multiple air and liquid cooled configurations are available to satisfy a wide range of application requirements. Visit oztekcorp.com for more info.

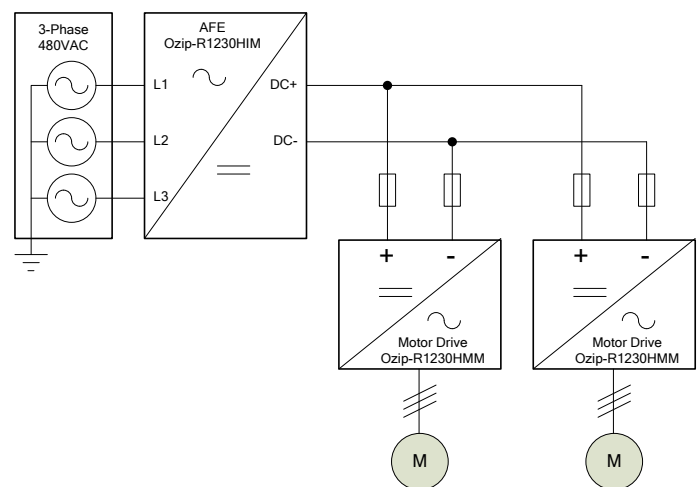
Innovative Thinking for Power Control

Typical Applications

Grid Tie Inverter PV/Battery/Flywheel Systems

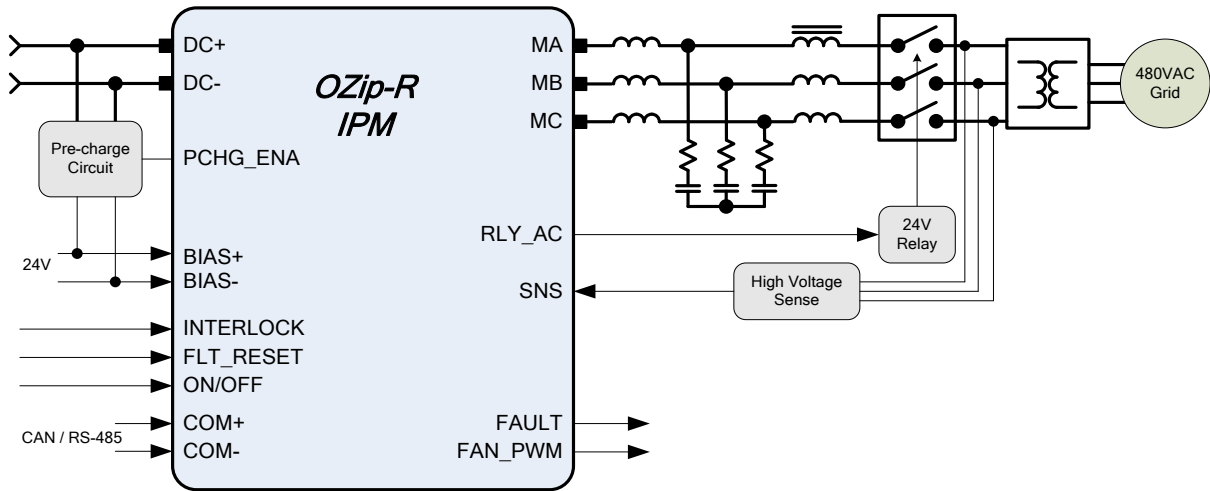


Active Front End Regenerative Motor Drive System



OZip-AFE/GTI Inverter Software

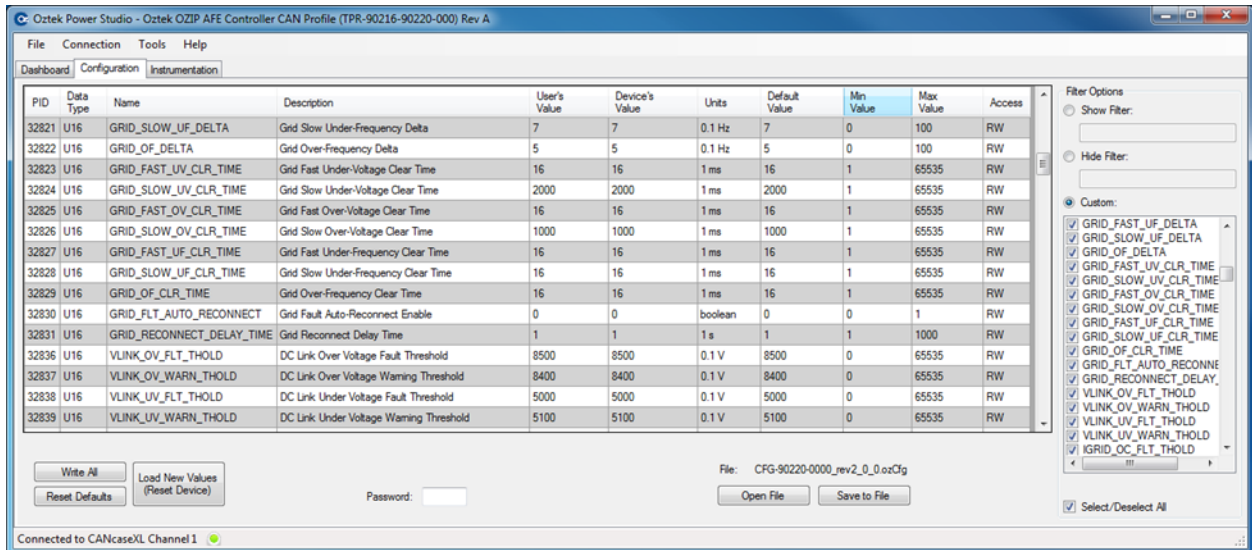
System Implementation



Power Studio™

Power Studio™ is a Windows based GUI that can be used to easily configure and control the OZip Inverter. The tool communicates with the inverter over the CAN or RS-485 serial port and provides a simple, intuitive user interface. Features include:

- Simple Tabbed Interface
 - ◆ Dashboard
 - ◆ Configuration
 - ◆ Instrumentation
- Dashboard for Control and Monitoring
- Inverter Configuration
 - ◆ Edit Configurations
 - ◆ Download/Upload Configurations
 - ◆ Archive multiple configuration files
- Firmware Update Utility



How To Specify

Typical OZip part

OZip-R 12 60 L I C

Application S/W

DC/DC Converter D
 Inverter I
 Motor Drive M
 Voltage Mode Inverter V